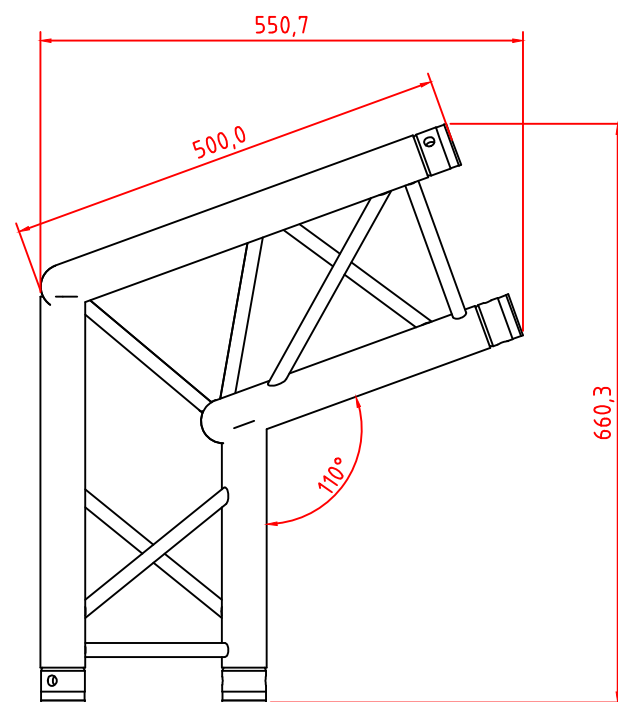
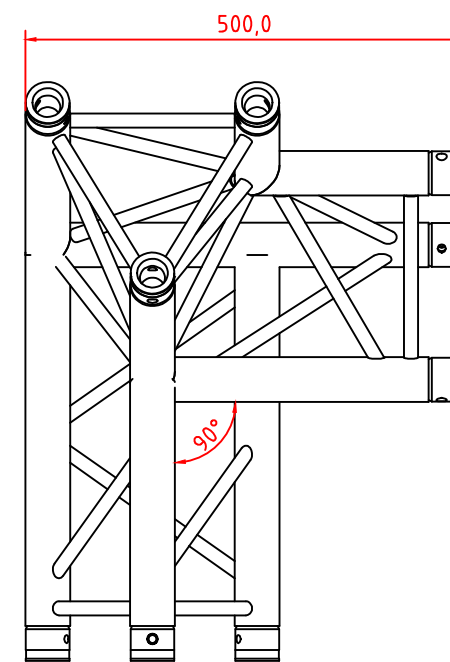



TOP VIEW



SIDE VIEW



FRONT VIEW

	DRAWN BY: CRISTI	DATE: 27.02.2013
	MOD. BY:	DATE MOD.:
	UNIT MEASURE: MM	TREATMENT:
	CAT.NR.: 111070212	REVISION:
ART.NR.: 111070212	STATUS:	
DESCRIPTION: SPECIAL X30D 3WAY- CORNER, 110DGR LEFT		
<small>THE INFORMATION CONTAINED IN THIS DRAWING IS THE SOLE PROPERTY OF PROLYTE PRODUCTS. ANY REPRODUCTION IN PART OR WHOLE WITHOUT THE WRITTEN PERMISSION OF PROLYTE PRODUCTS IS PROHIBITED.</small>		
		A3