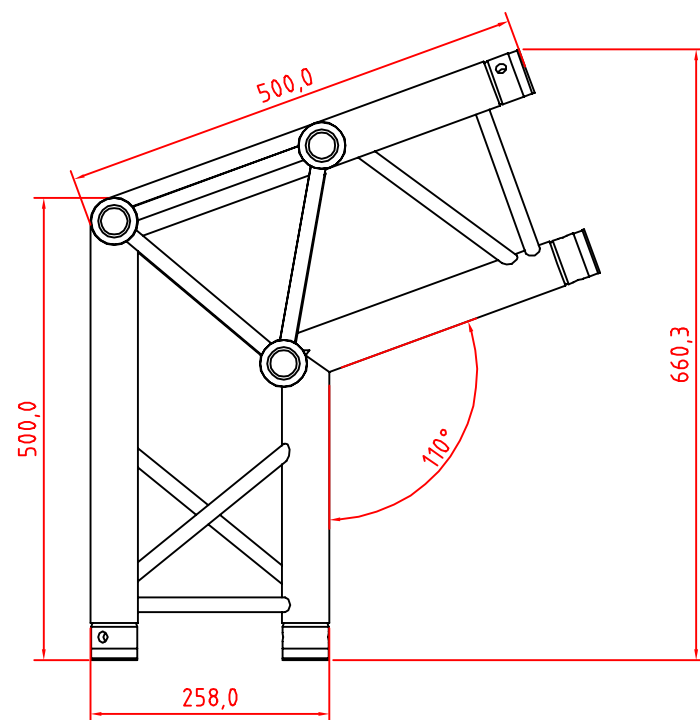
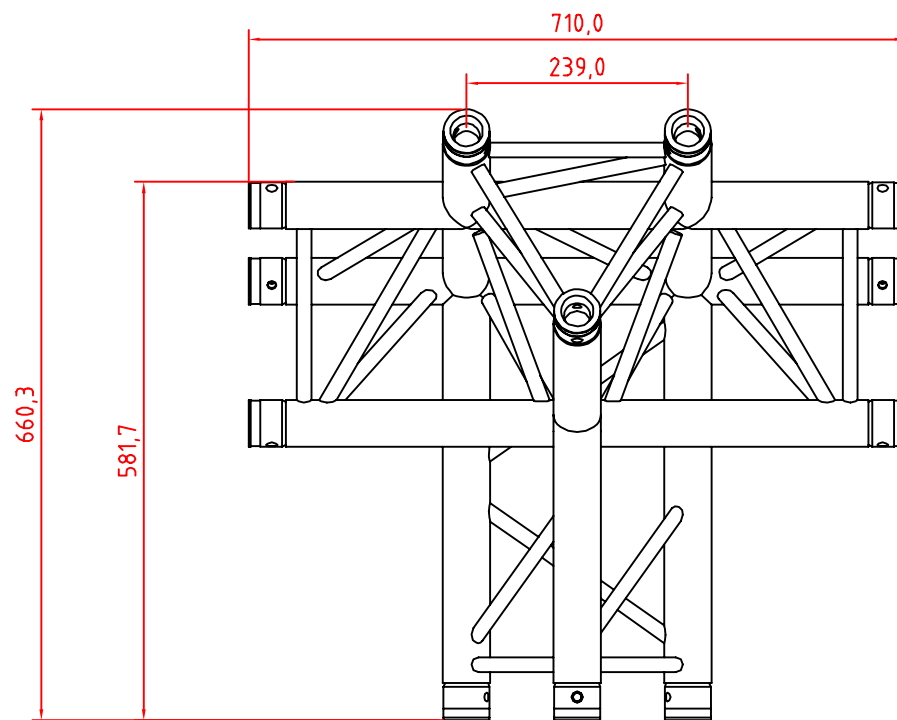


TOP VIEW



SIDE VIEW





FRONT VIEW

For confirmation please sign and fax within two days to: +31-594-851517. If no response is received within two days the delivery time given will be no longer valid.

NAME:

SIGNATURE:

		DRAWN BY: MARIUS	DATE: 07.10.2014
		MOD. BY:	DATE MOD.:
		UNIT MEASURE: MM	TREATMENT:
		CAT.NR.: X30D-C020-110DGR	REVISION:
DESCRIPTION:		ART.NR.:	STATUS:
CUSTOM TRIANGLE 30 4-WAY T-JOINT AD 110DGR			
<small>THE INFORMATION CONTAINED IN THIS DRAWING IS THE SOLE PROPERTY OF PROLYTE PRODUCTS. ANY REPRODUCTION IN PART OR WHOLE WITHOUT THE WRITTEN PERMISSION OF PROLYTE PRODUCTS IS PROHIBITED.</small>			
			AC